

GENERAL NOTES

A. GENERAL:

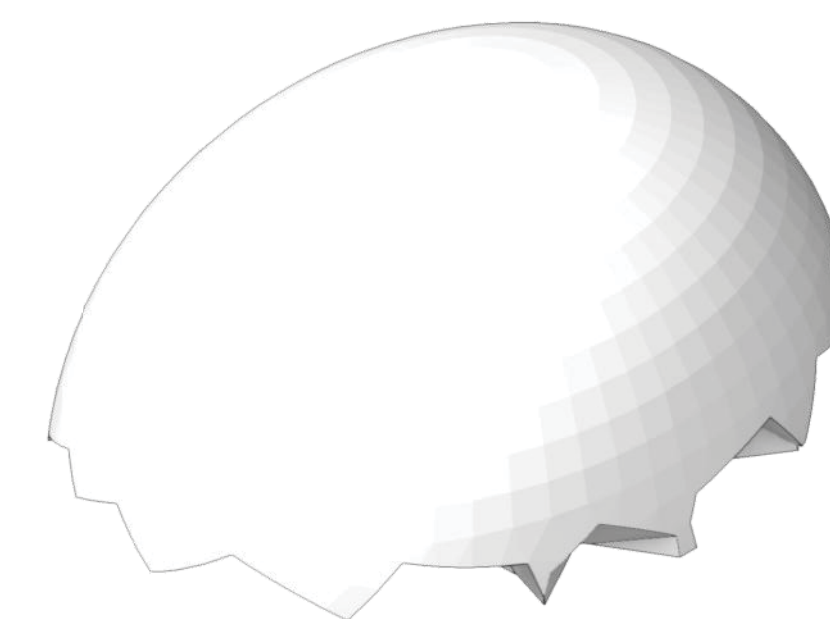
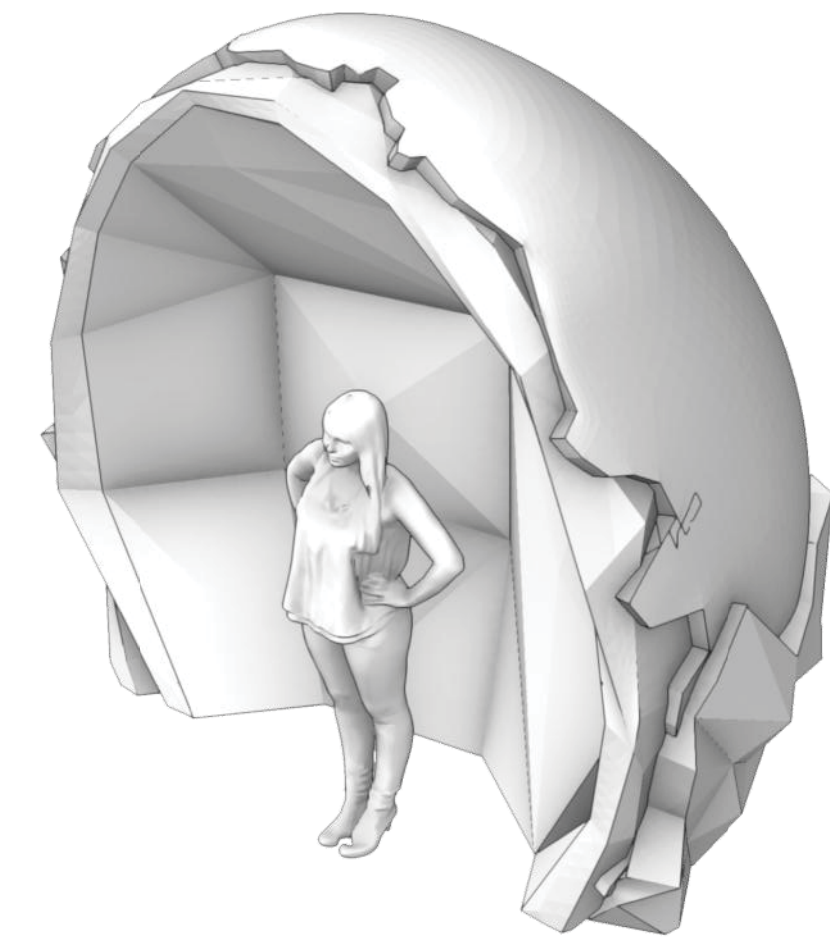
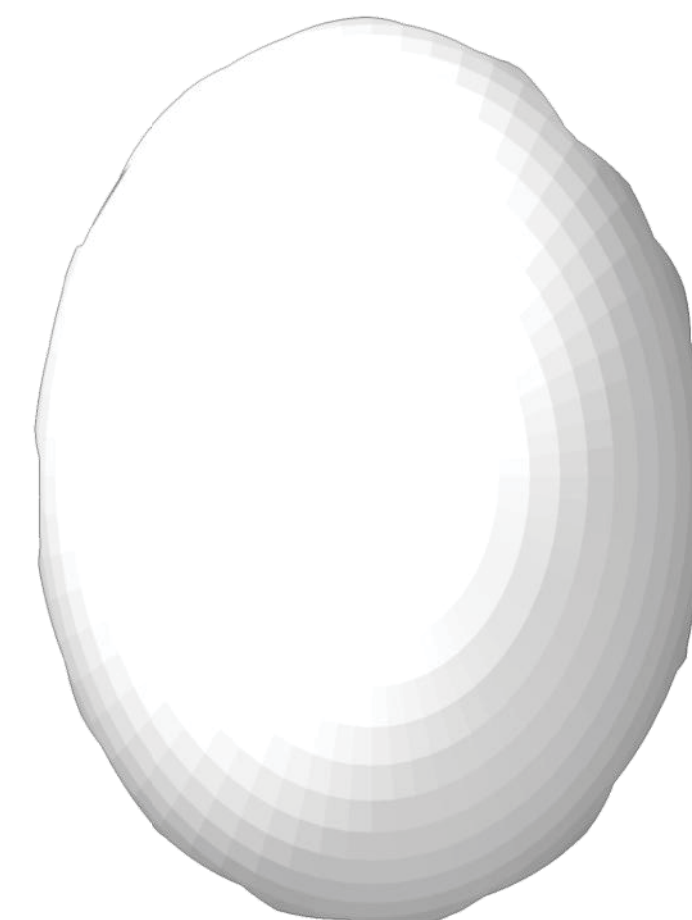
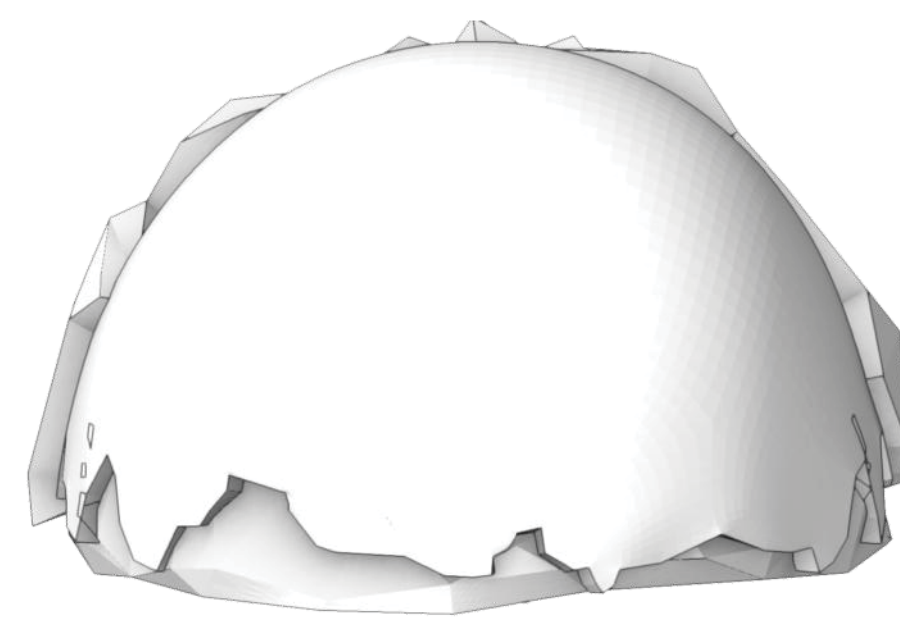
1. CONTRACTOR SHALL VERIFY ALL DIMENSIONS AND JOB SITE CONDITIONS BEFORE COMMENCING WORK AND SHALL REPORT ANY DISCREPANCIES TO THE ENGINEER.
2. USE WRITTEN DIMENSIONS. DO NOT USE SCALED DIMENSIONS. WHERE NO DIMENSION IS PROVIDED, CONSULT THE ENGINEER FOR CLARIFICATION BEFORE PROCEEDING WITH THE WORK.
3. THE DESIGN, ADEQUACY AND SAFETY OF ERECTION BRACING, SHORING, TEMPORARY SUPPORTS, ETC. IS THE SOLE RESPONSIBILITY OF THE CONTRACTOR AND HAS NOT BEEN CONSIDERED BY THE ENGINEER. THE CONTRACTOR IS RESPONSIBLE FOR THE STABILITY OF THE STRUCTURE PRIOR TO THE COMPLETION OF ALL SHEAR WALLS, ROOF AND FLOOR DIAPHRAGMS AND FINISH MATERIALS.
4. IT IS THE CONTRACTOR'S RESPONSIBILITY TO SATISFY HIMSELF AS TO THE LOCATION OF ANY UTILITIES IN THE IMMEDIATE VICINITY OF CONSTRUCTION SO AS TO PREVENT DAMAGE TO THEM.
5. THE ENGINEER HOLDS NO LIABILITY FOR UNAUTHORIZED CHANGES MADE TO THE CONSTRUCTION DOCUMENTS. THE ENGINEER IS NOT RESPONSIBLE FOR DAMAGES THAT RESULT FROM UNAUTHORIZED CHANGES MADE BY THE OWNER, A CONTRACTOR OR A BUILDING OFFICIAL, ETC.
6. SHOP DRAWINGS FOR ALL STRUCTURAL ELEMENTS SHOWN ON THE CONTRACT DOCUMENTS MUST BE SUBMITTED FOR APPROVAL PRIOR TO CONSTRUCTION. IF THE CONTRACTOR OR OWNER FAILS TO OBTAIN THE ENGINEER'S REVIEW AND APPROVAL OF THE SHOP DRAWINGS THE ENGINEER WILL NOT BE RESPONSIBLE FOR THE STRUCTURAL CERTIFICATION AND DESIGN OF THE PROJECT. AT THE TIME OF SHOP DRAWING SUBMISSION, THE GENERAL CONTRACTOR OR OWNER SHALL INFORM THE ENGINEER, IN WRITING, OF ANY DEVIATIONS OR OMISSIONS FROM THE CONTRACT DOCUMENTS. THE GENERAL CONTRACTOR SHALL REVIEW ALL SHOP DRAWINGS BEFORE SUBMISSION TO THE ENGINEER AND MAKE ALL CORRECTIONS AS HE/SHE DEEMS NECESSARY.

B. DESIGN CRITERIA:

1. CODE: CALIFORNIA BUILDING CODE WITH LOCAL AMENDMENTS, 2019 EDITION.
2. VERTICAL LIVE LOADS: 300LBS
3. LATERAL LOADS:
WIND: Vult: 94 MPH, EXP. C
SEISMIC: Ss: 1.915G
S1: 0674
SITE CLASS: D
4. THE STRUCTURE HAS BEEN DESIGNED FOR THE DEAD AND LIVE LOADS INDICATED ABOVE. ANY INCREASE OF LOADS DUE TO A CHANGE IN USAGE OR CONSTRUCTION MATERIALS, ETC. SHALL HAVE THE WRITTEN APPROVAL OF THE ENGINEER.
5. THE STABILITY OF THE STRUCTURE IS DEPENDENT UPON THE DIAPHRAGM ACTION OF THE FLOORS AND ROOFS. THE CONTRACTOR IS COMPLETELY RESPONSIBLE FOR THE METHODS OF CONSTRUCTION AND SHALL PROVIDE ALL GUYS, BRACING AND SHORING REQUIRED TO ACCOMMODATE ALL INTERIM LOADING CONDITIONS THROUGHOUT THE CONSTRUCTION PHASE.

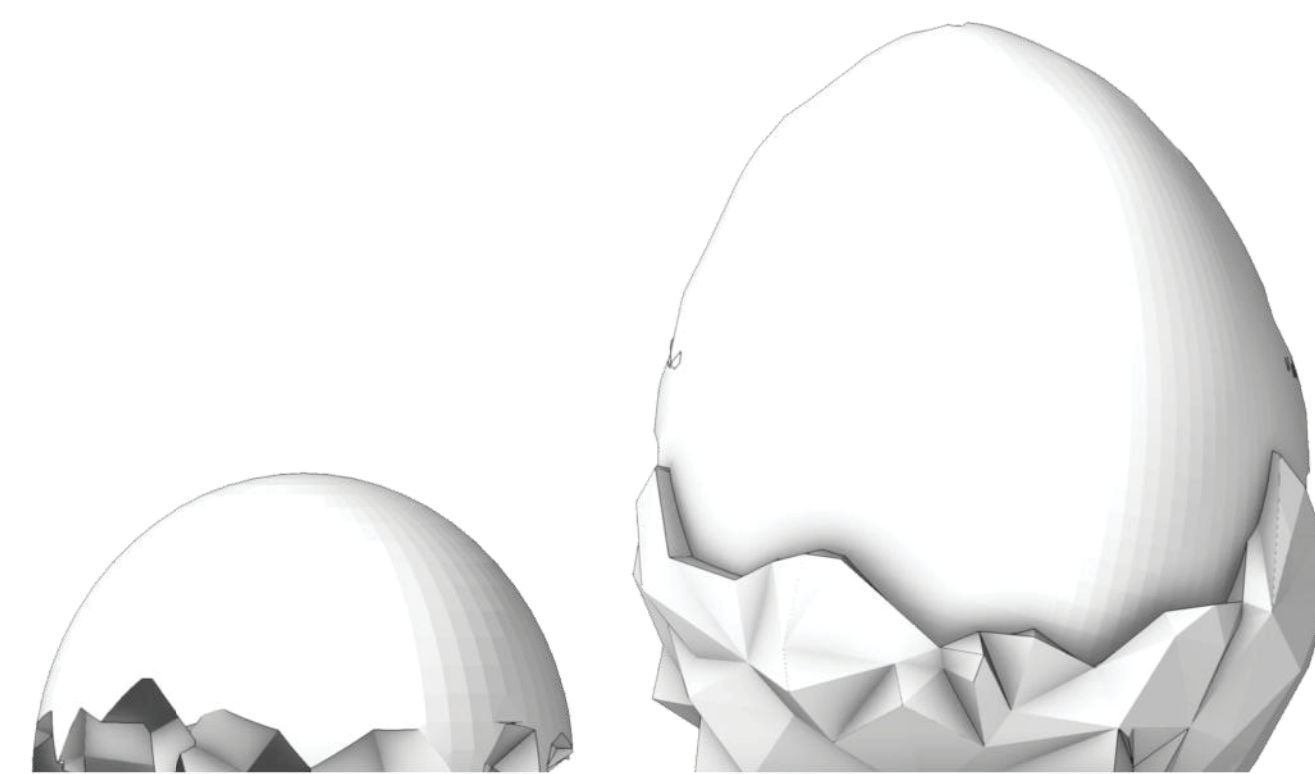
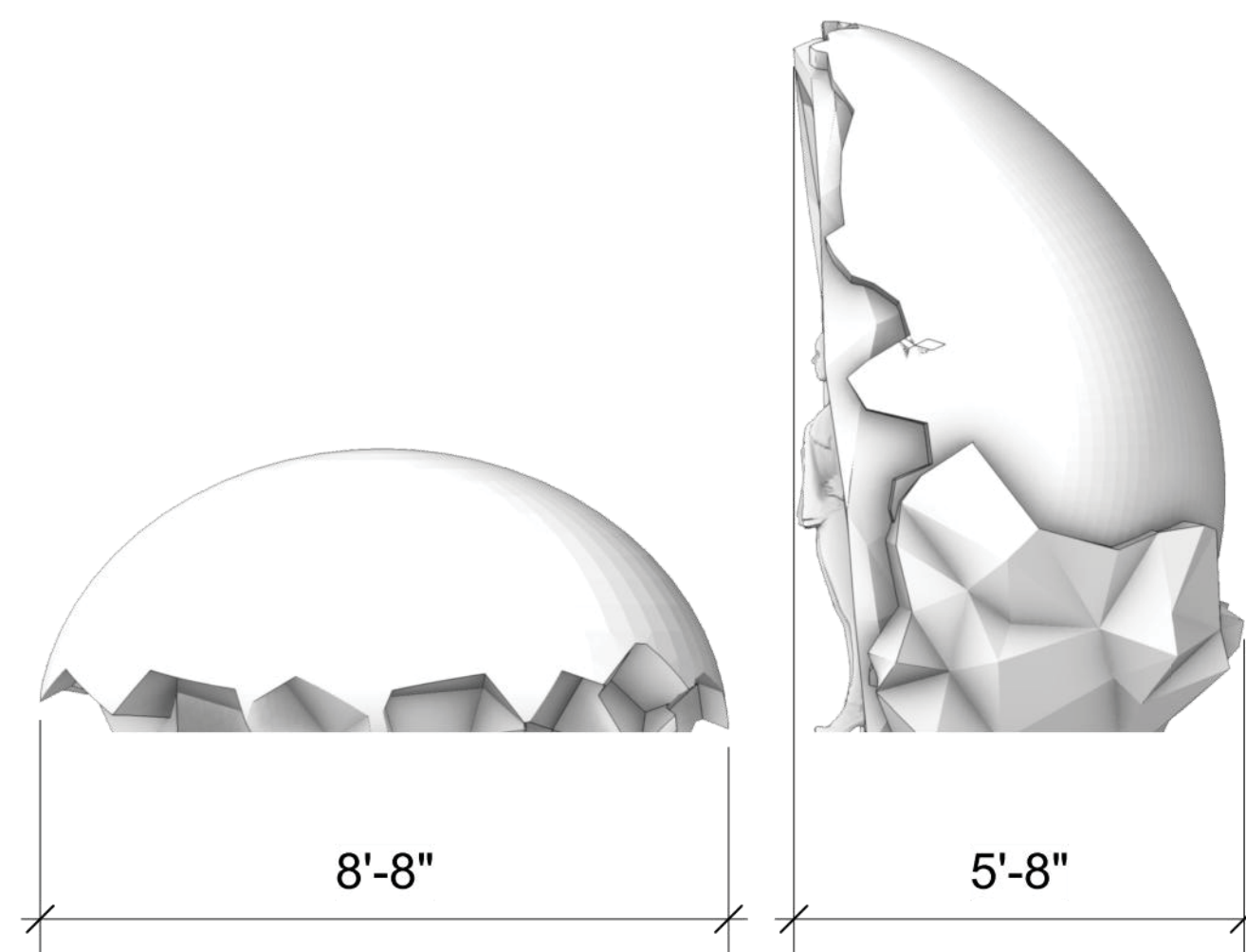
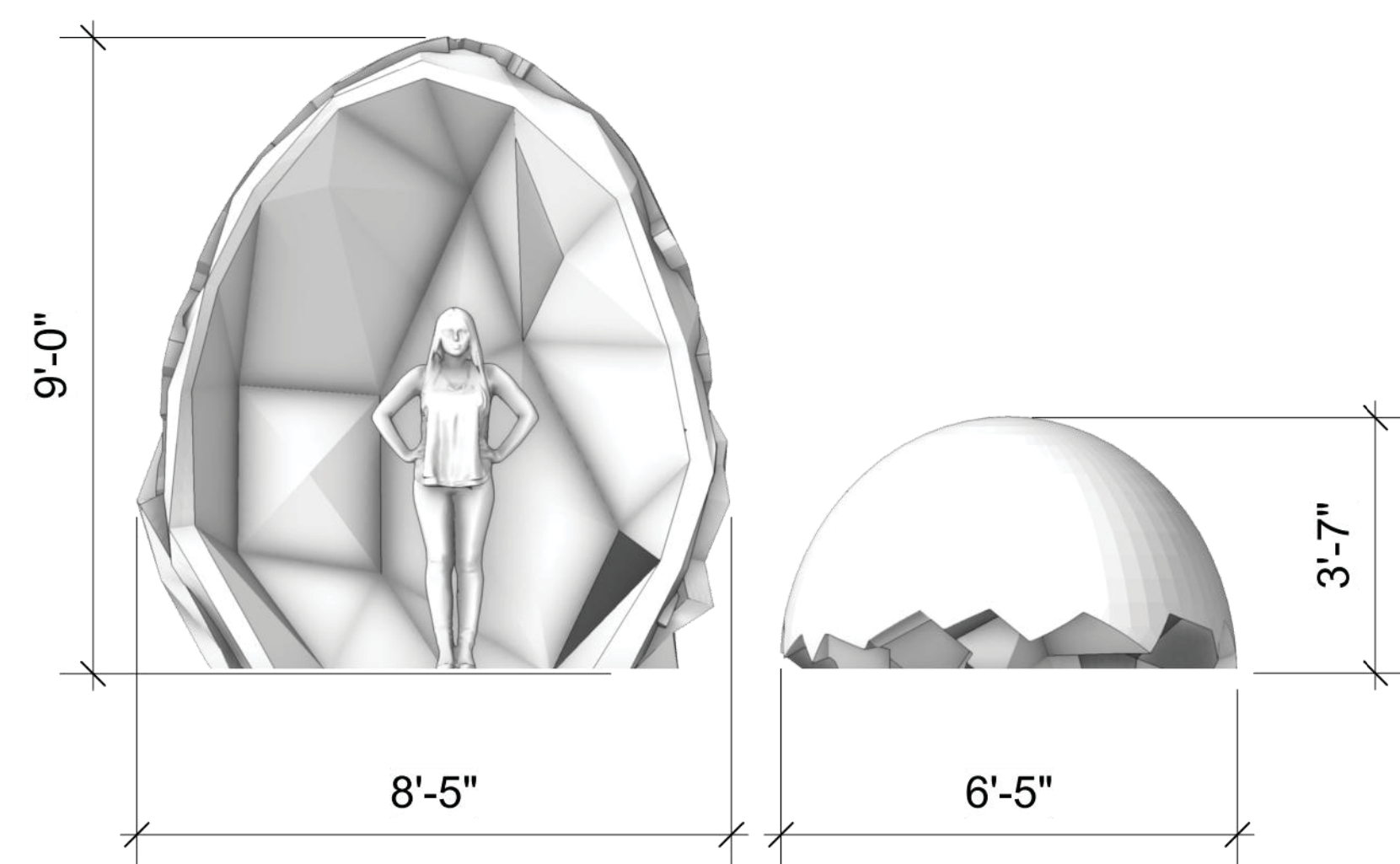
H. STRUCTURAL AND MISCELLANEOUS STEEL

1. ALL STRUCTURAL AND MISCELLANEOUS STEEL SHALL CONFORM TO THE 13TH EDITION OF THE AISC "STEEL CONSTRUCTION MANUAL" AND ALL ITS SUPPLEMENTS.
2. ALL STRUCTURAL STEEL SHALL CONFORM TO ASTM A992 HAVING A MINIMUM YIELD STRENGTH OF 50,000PSI.
3. STEEL TUBES SHALL CONFORM TO ASTM A5000 GRADE B WITH A MINIMUM YIELD STRENGTH OF 46,000PSI.
4. ALL STEEL PIPES SHALL CONFORM TO ASTM A53 GRADE B WITH A MINIMUM YIELD STRENGTH OF 35,000PSI.
5. ALL STEEL PLATES AND ANGLES SHALL CONFORM TO ASTM A36 HAVING A MINIMUM YIELD STRENGTH OF 36,000PSI.
6. ALL WELDED CONNECTIONS SHALL BE DONE WITH E70XX ELECTRODES. ALL BOLTED CONNECTIONS SHALL USE 3/4" DIAMETER ASTM A325N HIGH STRENGTH BOLTS U.N.O. CONNECTIONS NOT SHOWN SHALL BE DESIGNED IN ACCORDANCE WITH AISC "MANUAL FOR STEEL CONSTRUCTION", 13TH ED. SHEAR CONNECTIONS SHALL BE DESIGNED PER AISC FOR REACTION EQUAL TO 1/2 THE ALLOWABLE UNIFORM LOAD ON BEAM PER PART 3 OF MANUAL (MINIMUM OF 10 KIPS), UNLESS NOTED OTHERWISE. NO CONNECTION SHALL BE MADE USING LESS THAN TWO BOLTS. ALL ANCHOR BOLTS SHALL BE ASTM A307.
7. SHOP AND FIELD WELDS SHALL BE MADE BY APPROVED CERTIFIED WELDERS AND SHALL CONFORM TO THE AMERICAN WELDING SOCIETY CODE FOR BUILDINGS, AWS D1.1.
8. EXPOSED STRUCTURAL STEEL SHALL CONFORM TO THE "SPECIFICATION FOR ARCHITECTURALLY EXPOSED STRUCTURAL STEEL" AISC.
9. NO OPENINGS IN BEAMS SHALL BE PERMITTED WITHOUT THE WRITTEN PERMISSION OF THE ENGINEER. THE USE OF A GAS-CUTTING TORCH IN THE FIELD FOR CUTTING HOLES OR FOR CORRECTIONS TO FABRICATION ERRORS WILL NOT BE PERMITTED WITHOUT THE WRITTEN APPROVAL OF THE ENGINEER.
10. ALL STRUCTURAL STEEL SHALL BE SHOP PAINTED WITH AN APPROVED CORROSION RESISTANT PRIMER.
11. STEEL FABRICATOR SHALL BE A PARTICIPANT OF THE AISC QUALITY CERTIFICATION PROGRAM.
12. AN INDEPENDENT INSPECTION AGENCY SHALL BE EMPLOYED BY THE CONTRACTOR AND APPROVED BY THE ENGINEER TO INSPECT THE STRUCTURAL STEEL IN THE FIELD AND VERIFY THAT IT CONFORMS TO THE REQUIREMENTS OF THE CONTRACT DOCUMENTS.



ARTISTIC RENDERING - TOP VIEW
SCALE: NTS

ARTISTIC RENDERING - PERSPECTIVE VIEW
SCALE: NTS



ARTISTIC RENDERING - ELEVATION VIEW
SCALE: NTS



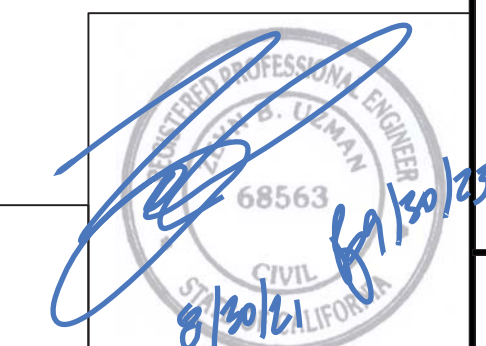
ZEYU UZMAN, STRUCTURAL ENGINEER
www.beststructural.com
500 NORTH FRONT STREET (717) 737-1559
WORMLEYSBURG, PA 17043 FAX (717) 737-1320

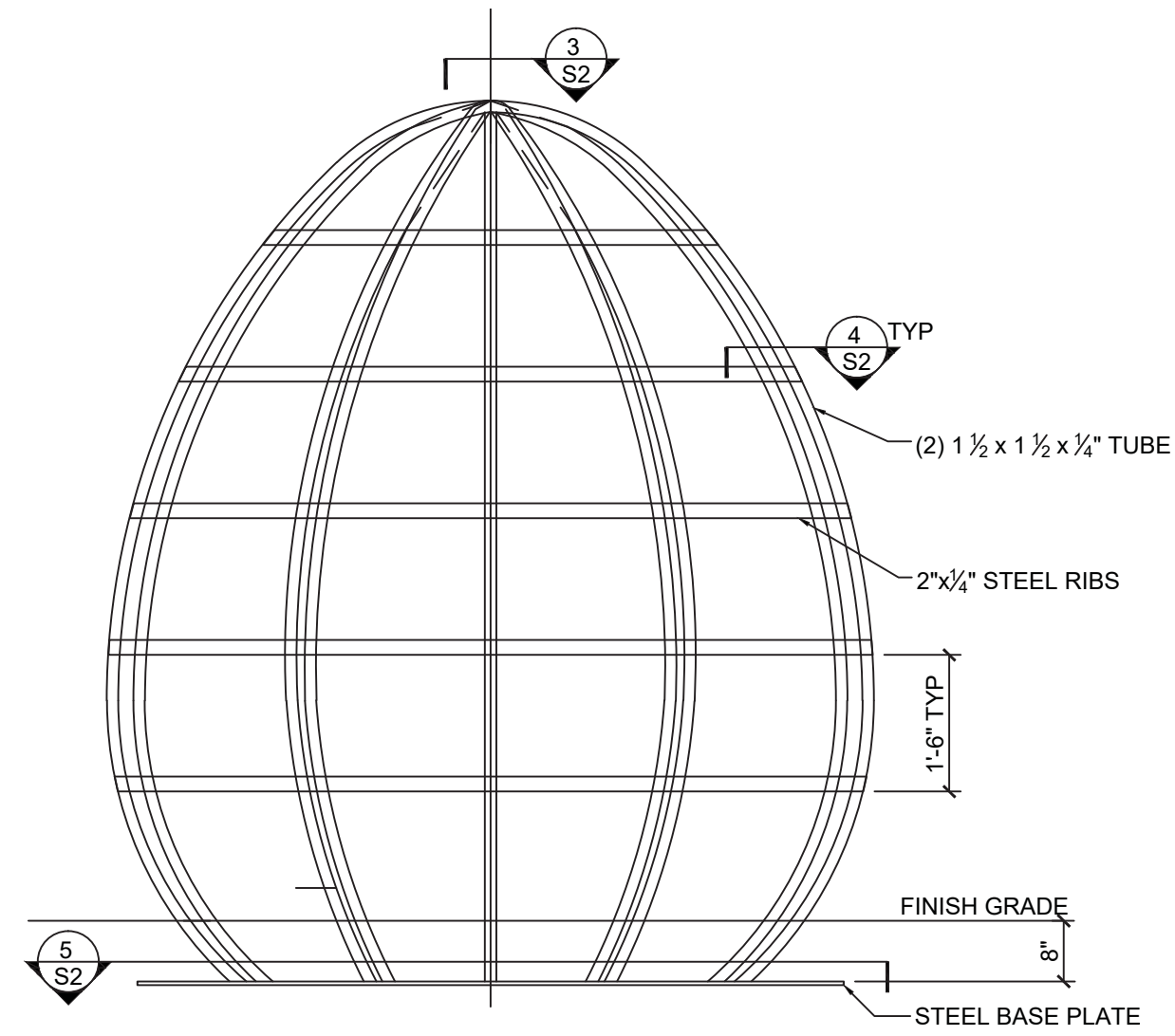
Crystal Galaxy Sculpture
SoFi Stadium
1001 S Stadium Drive, Inglewood CA

DATE: 8/24/2021

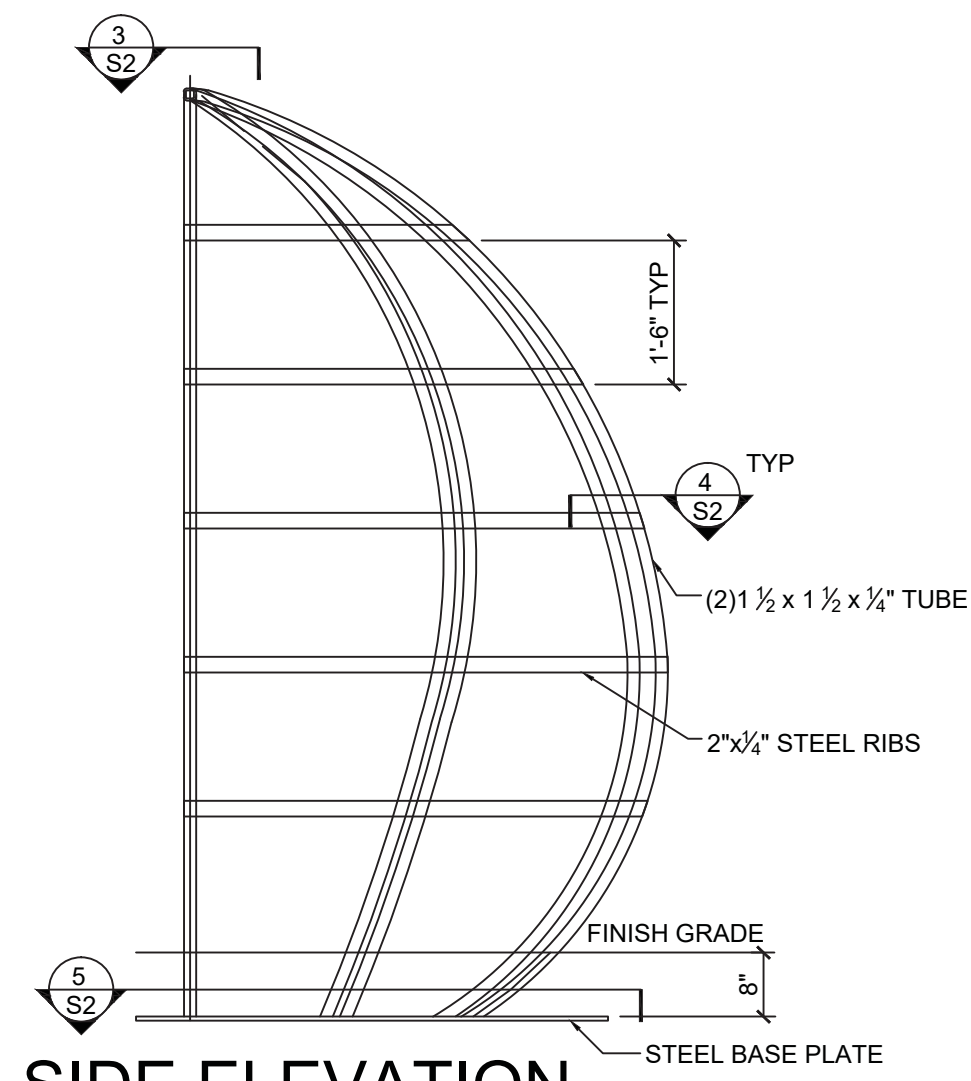
TITLE: GENERAL NOTES

PAGE: S1

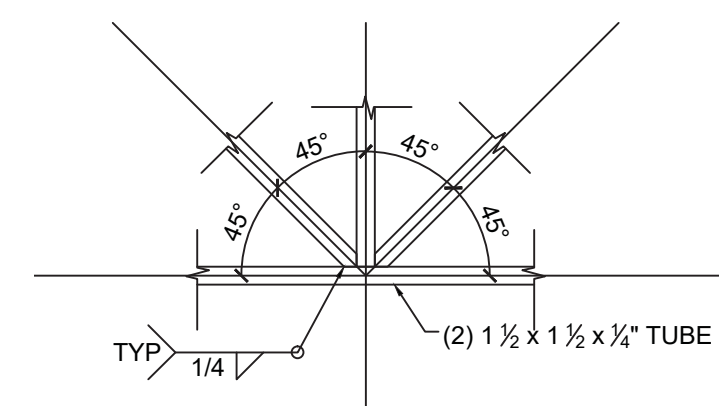




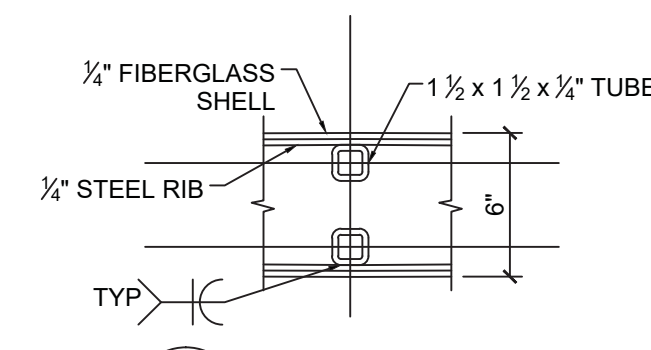
1 FRONT ELEVATION
SCALE: 1/2" = 1'-0"



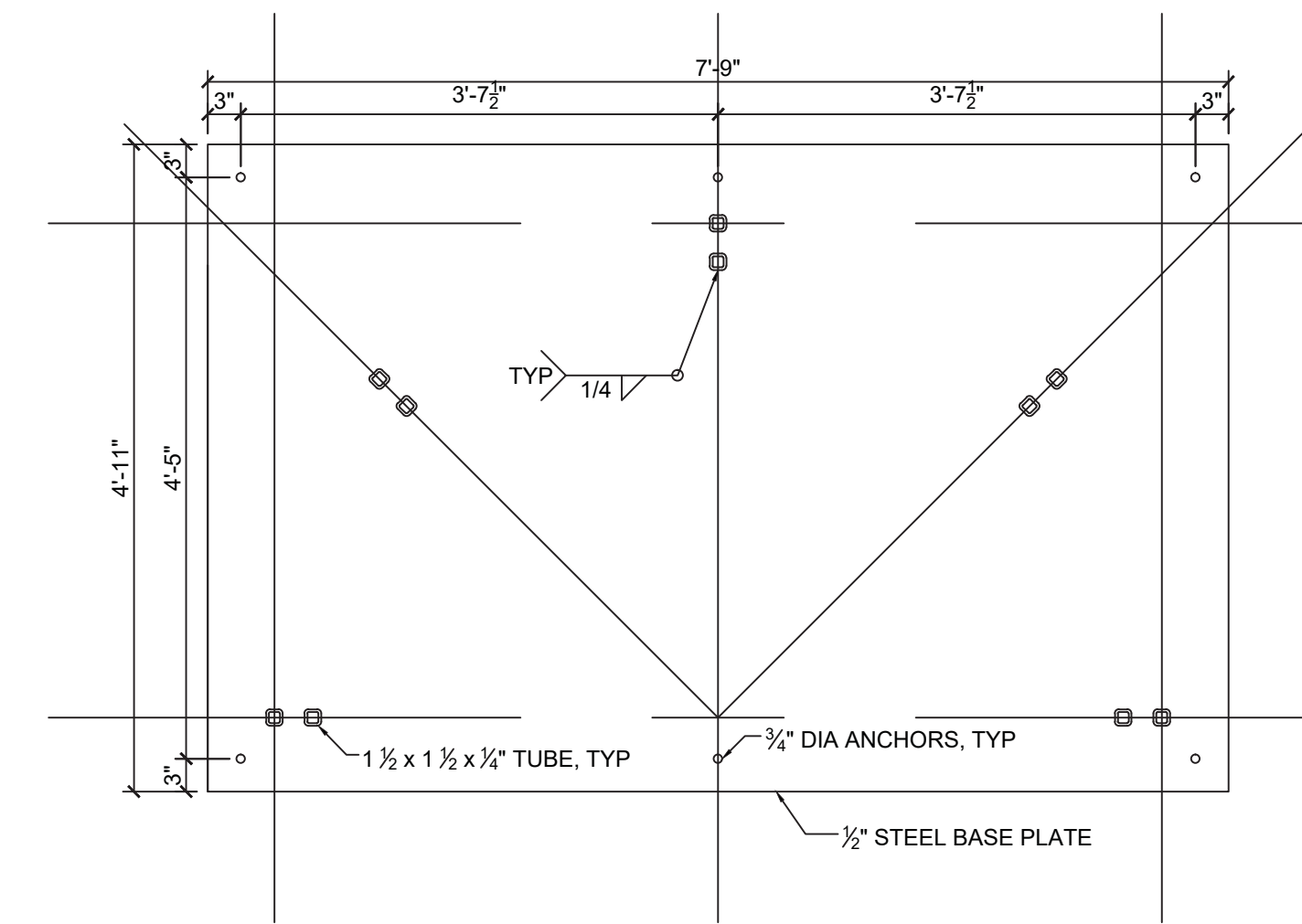
2 SIDE ELEVATION
SCALE: 1/2" = 1'-0"



3 SECTION
SCALE: 3/4"=1"



4 SECTION
SCALE: 1 1/2"=1"



5 SECTION
SCALE: 3/4"=1"

